

Top Cap

The Top Cap is a profile that caps the top of a NorLock wall with a flat surface.

Use this accessory for:

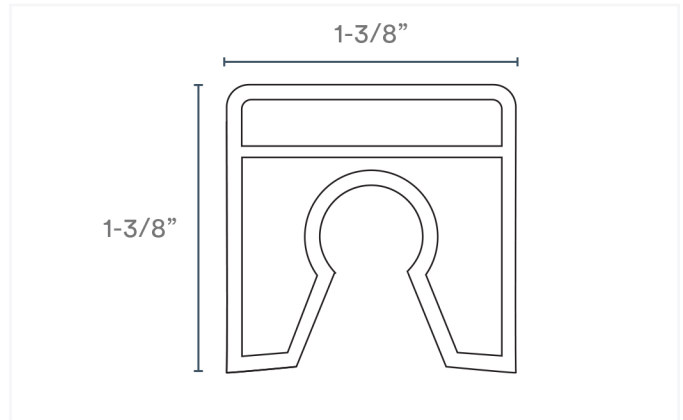
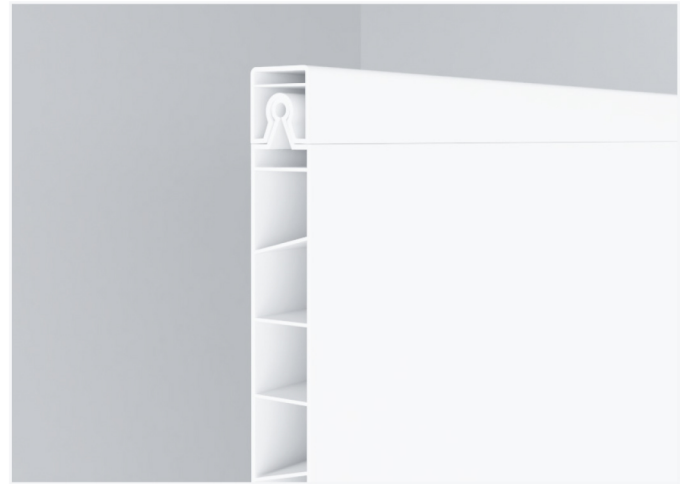
Interlocking cap

Product #

1-3/8" - NLNLPL3520CAP

Pieces per carton: 10

Length: 20'



7/8	1-3/8	1-1/2	2"
N/A	✓	N/A	N/A